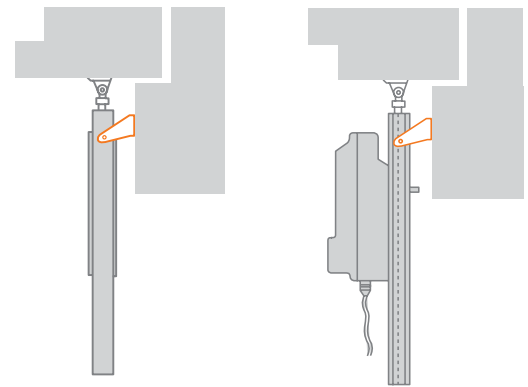
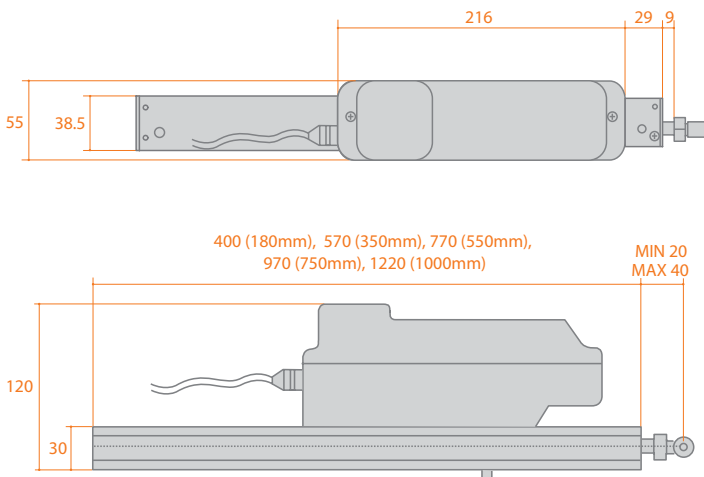
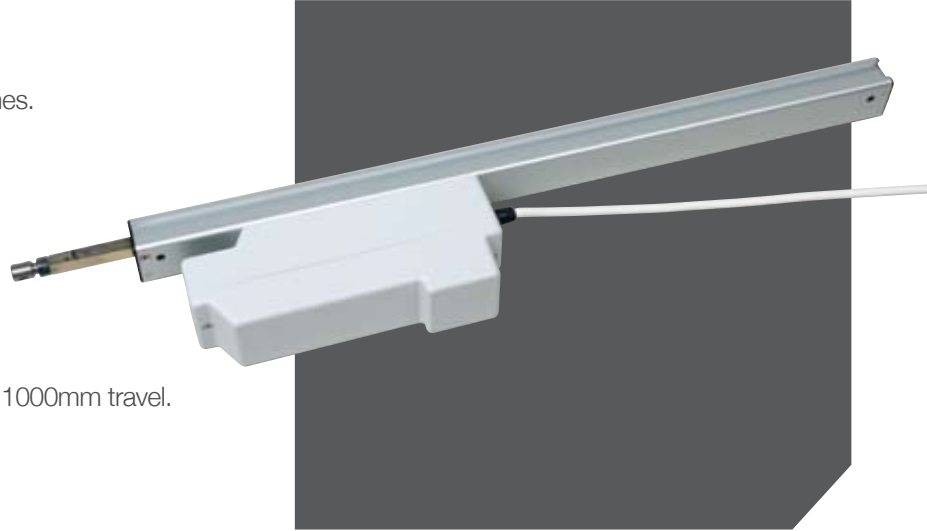


» Rack

» Product Summary

- Linear type actuator for use on roof vents or domes.
- Low noise operation.
- High protection degree IP55.
- Supplied with 1.5m cable.
- Available with end brackets or slide brackets, to be ordered separately.
- Choice of 180mm, 350mm, 550mm, 750mm or 1000mm travel.



End Bracket

Slide Bracket

» Technical Specification

Voltage	24V dc	230V ac
Stroke	180/350/550/750/1000mm*	180/350/550/750/1000mm*
Thrust Force	650N (*350N)	650N (*350N)
Absorbed Current	1A	0.1A
Speed	8mm/s	8mm/s
Protection Class	IP55	IP55
Wiring	3 Core	4 Core
Colour	Silver	Silver
Limit Stop	Electronic	Electronic
Safety Stop	Electronic	Electronic