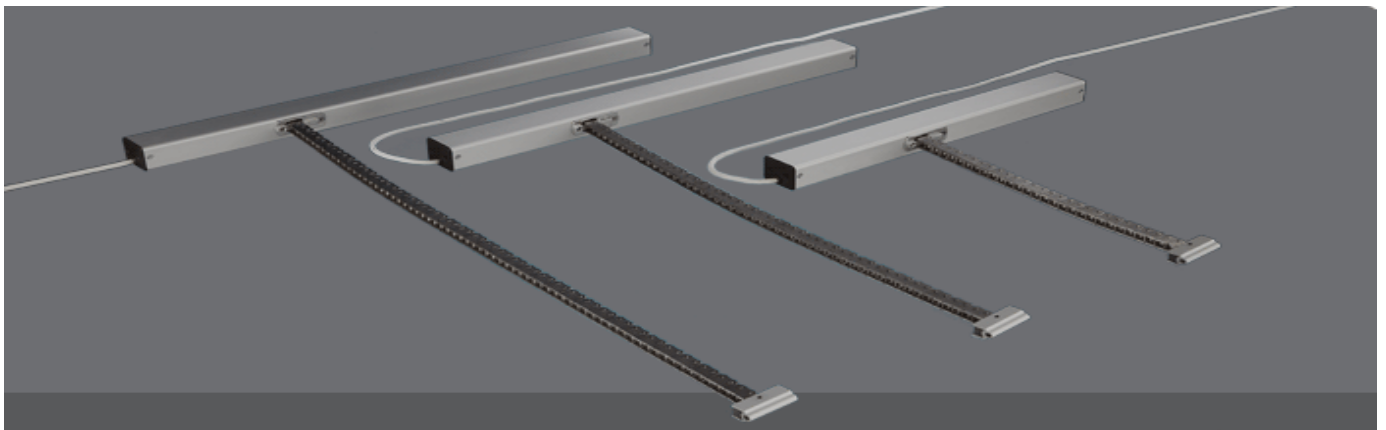


Electrical Actuators – POWERMASTER

PowerMaster

Product Summary

- Powerful 300N, 230V AC and 24V DC single chain drive actuator suitable for many window and rooflight applications.
- Available 3 stroke lengths 380mm, 660mm, 860mm (24v only)
- Conforms to directives: LVD 2006/95/EC
- Integral limit switch system
- Can be connected in parallel with other actuators
- Auto-stop 'soft close' function



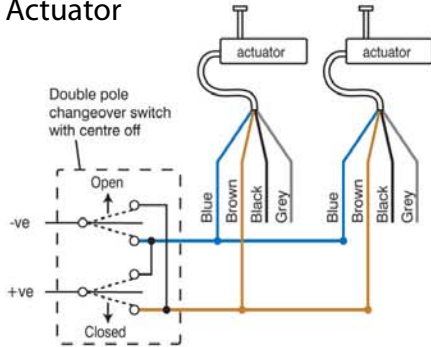
Voltage	24V dc	230V ac
Stroke	380 / 660 / 860 mm	380 / 660mm
Thrust Force	300N	300N
Absorbed Current	1A	0.50A
Speed	18mm/s	18mm/s
Protection Class	IP32	IP32
Wiring	4 Core	4 Core
Colours Available	Silver anodised	Silver anodised
Cable length	1.5m	1.5m
Operating Temp	-10°C to +65°C	-10°C to +65°C

Actuators – POWERMASTER

Powermaster

Circuit diagram

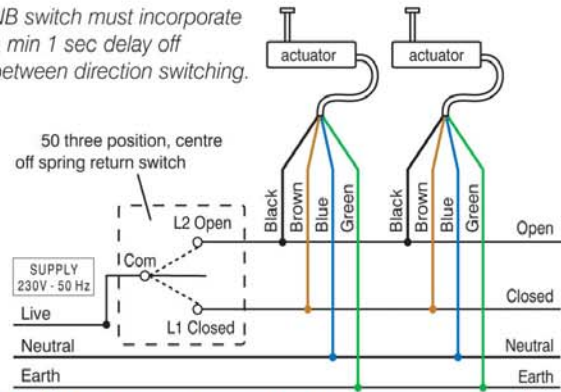
24Vdc Actuator



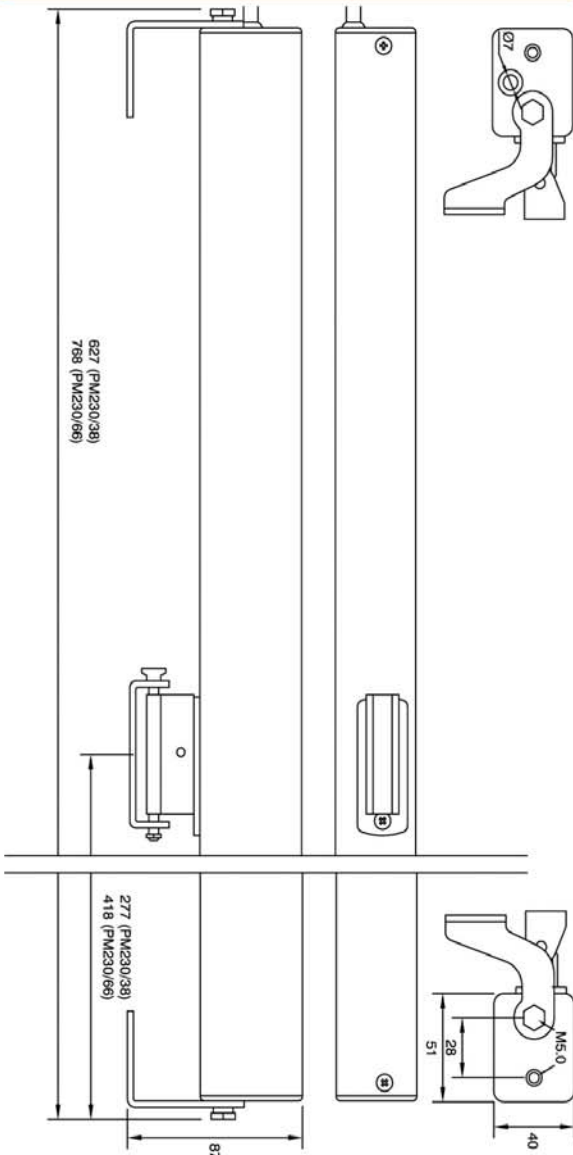
Black and grey wires provide optional feedback signal to be used with VCS control monitoring.

230Vac Actuator

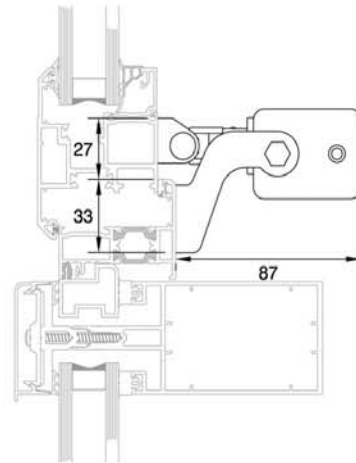
NB switch must incorporate a min 1 sec delay off between direction switching.



Dimensions



As-fitted section - top hung open out



As-fitted section - bottom hung open in

