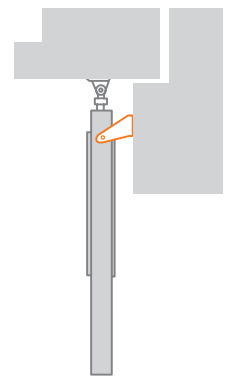
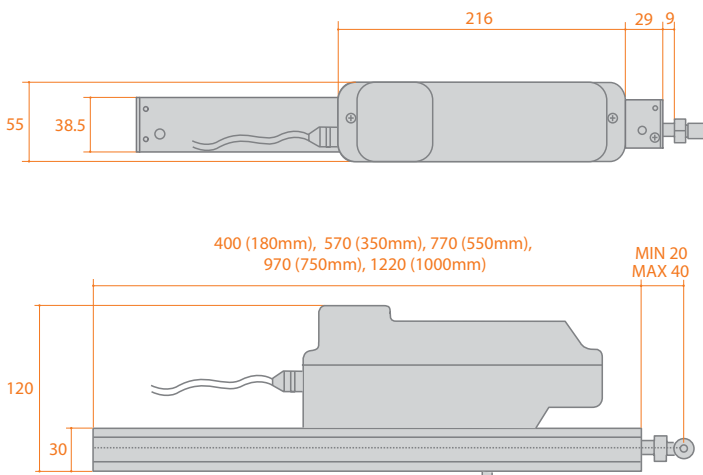
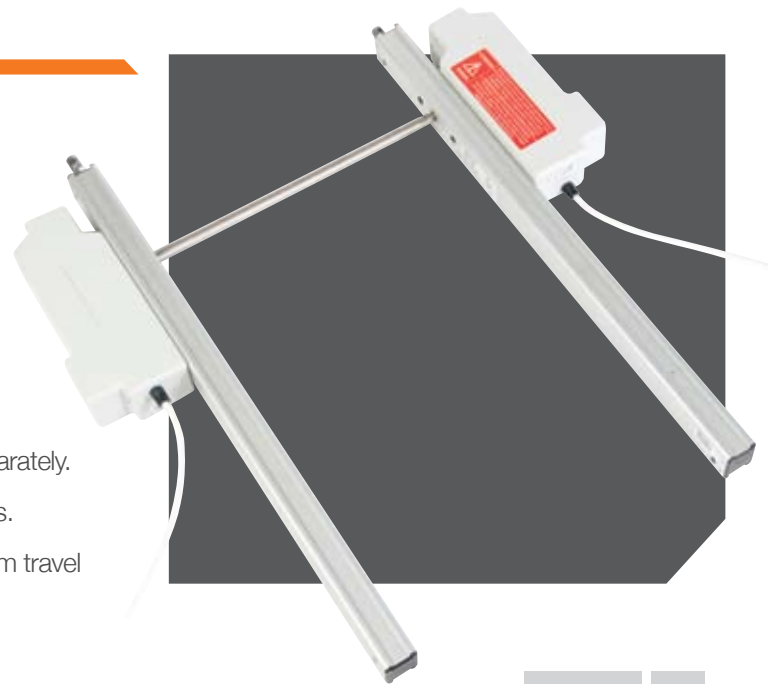


Actuators – Double Rack

» Double Rack

» Product Summary

- Strong dual drive linear actuators for very heavy, wide roof vents and domes.
- Low noise operation.
- High protection degree IP55.
- Supplied with 1.5m cable.
- Require a pair of end brackets and connecting rod, sold separately.
- Choice of 1000mm, 1500mm and 2000mm connecting rods.
- Available with 180mm, 350mm, 550mm, 750mm or 1000mm travel



End Bracket

» Technical Specification

Voltage	24V dc	230V ac
Stroke	180/350/550/750/1000mm*	180/350/550/750/1000mm*
Thrust Force	1300N (*700N)	1300N (*700N)
Absorbed Current	2A	0.2A
Speed	8mm/s	8mm/s
Protection Class	IP55	IP55
Wiring	3 Core	4 Core
Colour	Silver	Silver
Limit Stop	Electronic	Electronic
Safety Stop	Electronic	Electronic